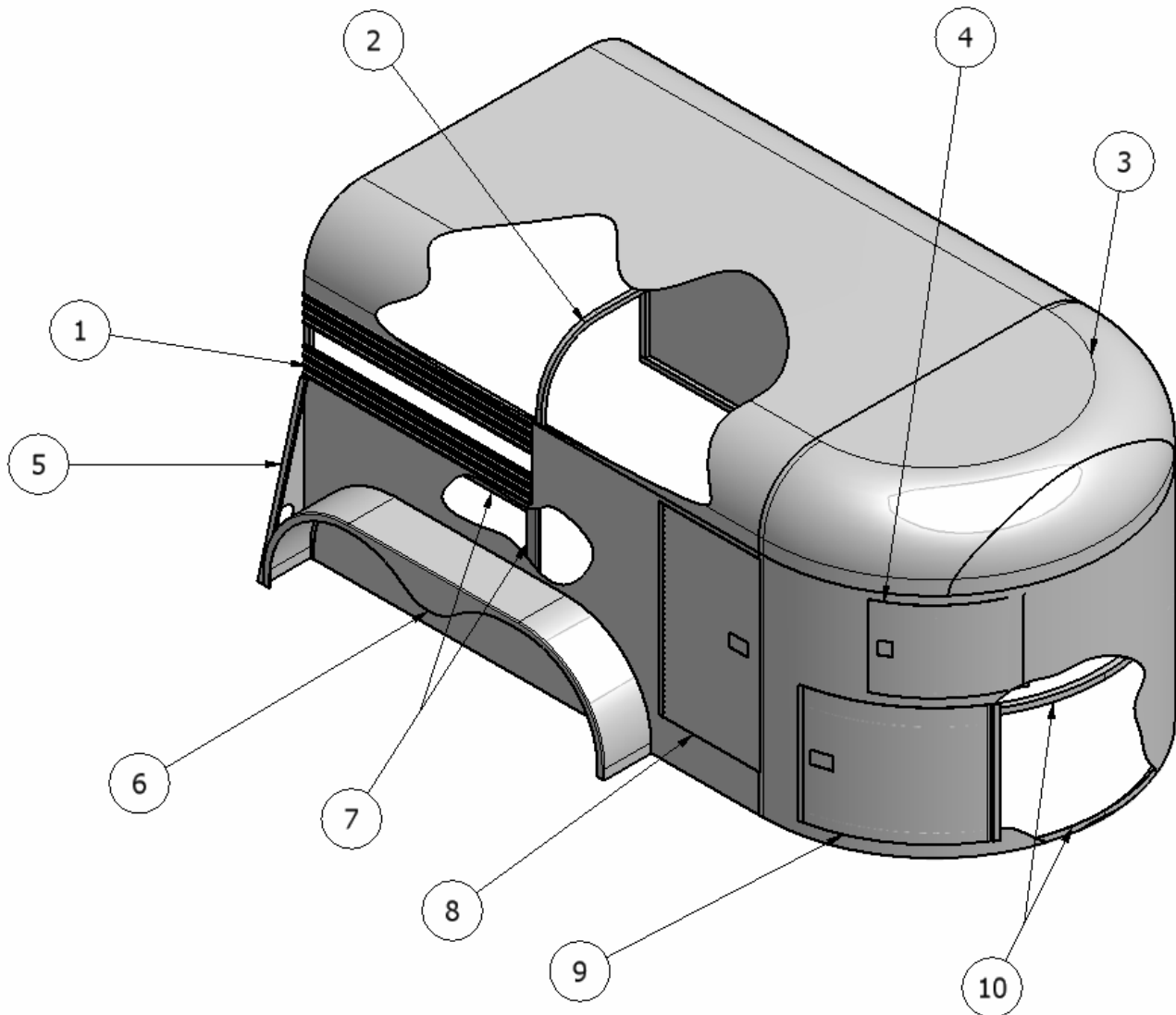


HORSE TRAILER ASSEMBLY



1. Pt. No. 5079 or 5675—Liner Slat

2. Pt. No. 5007 or 5247—Roof Bow

3. Pt. No. 5012, 5000 or 5394—Cap

4. Pt. No. 5138—Feed Door

5. Pt. No. 5143—Rear Brace

6. Pt. No. 6001 or 6002—Fender

7. Pt. No. 5017—"J" Channel

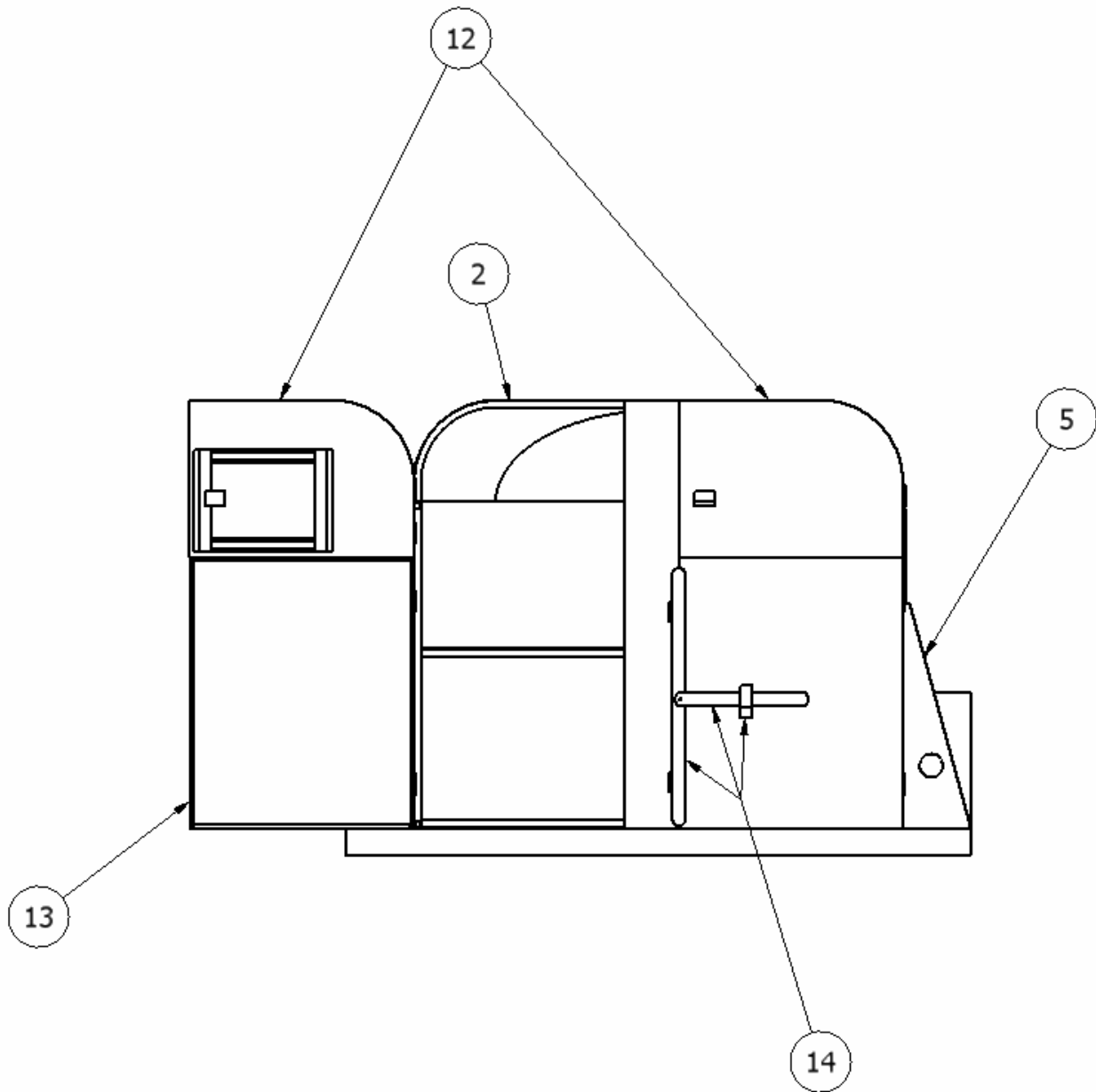
8. Pt. No. 5139—Escape Door

9. Pt. No. 5136—Tack Door

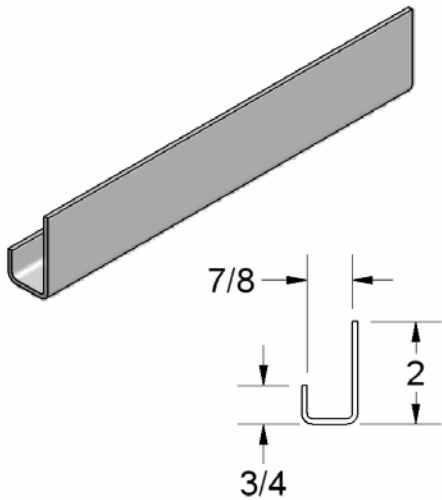
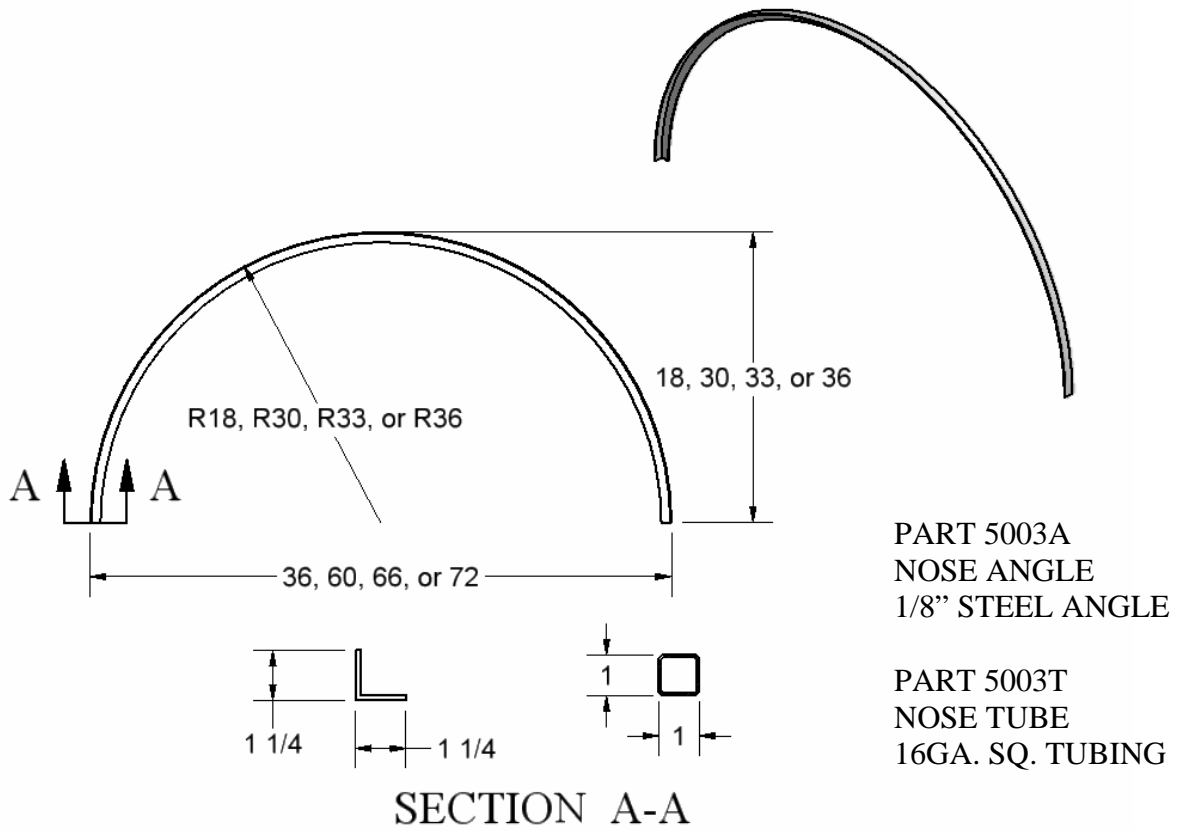
10. Pt. No. 5003—Rolled Angle

—Rolled Tube

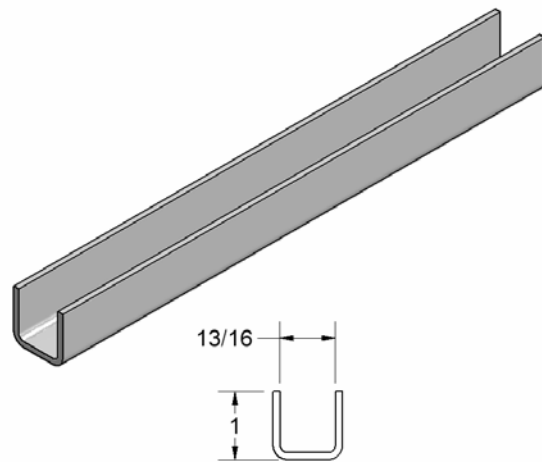
HORSE TRAILER ASSEMBLY



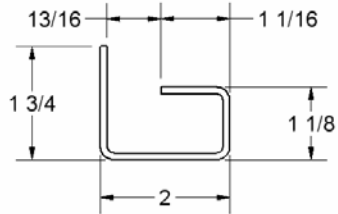
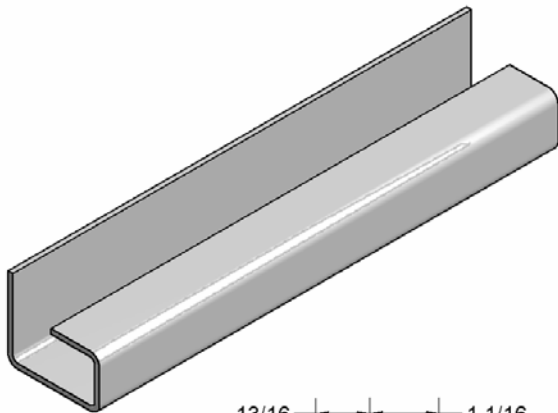
- 2. Pt. No. 5007 or 5247 — ROOF BOW
- 5. Pt. No. 5143 — REAR BRACE
- 12. Pt. No. 5175 or 5176 — REAR CURTAIN
- 13. Pt. No. 5173 — REAR DOOR
- 14. Pt. No. 5004 — BUTTERFLY LATCH



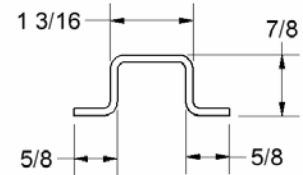
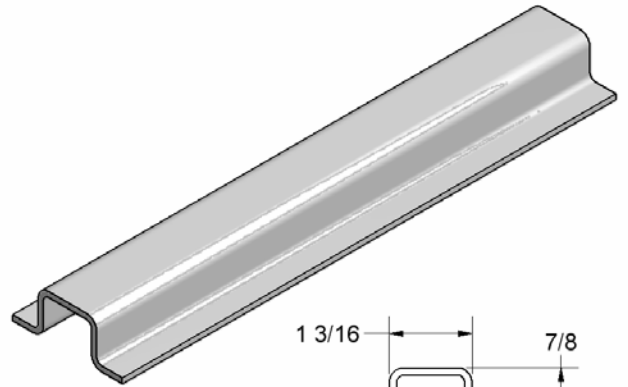
PART 5017
J CHANNEL
12 GA.



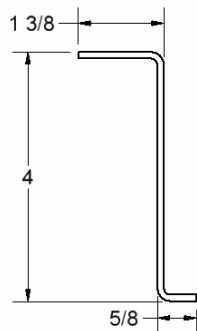
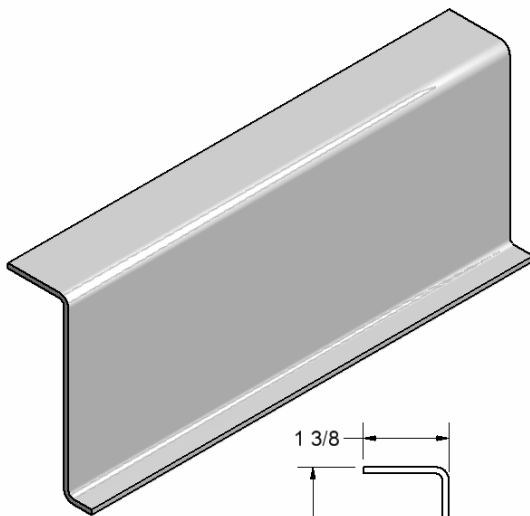
PART 5251
PARTITION CHANNEL
12 GA.



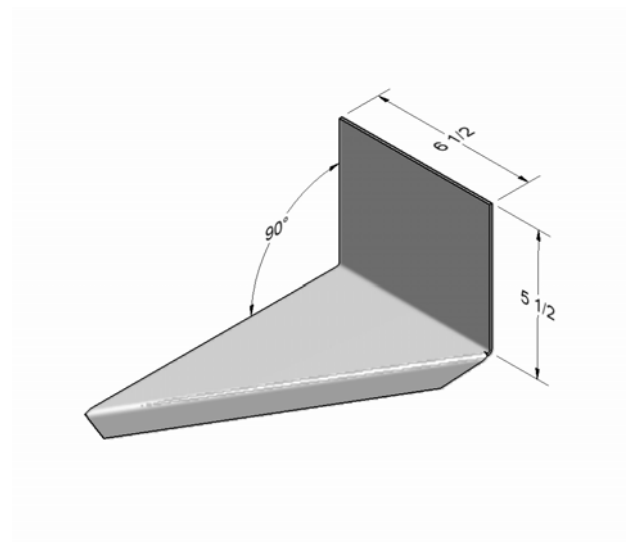
PART 5308
REAR CORNER POST
12 GA.



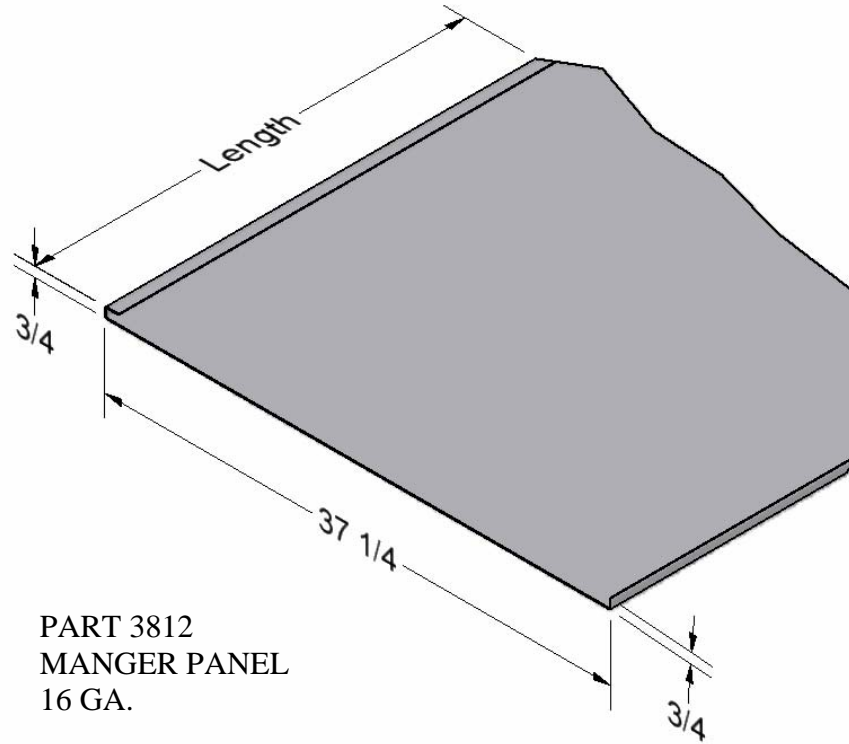
PART 5322
HAT SECTION
12 GA.



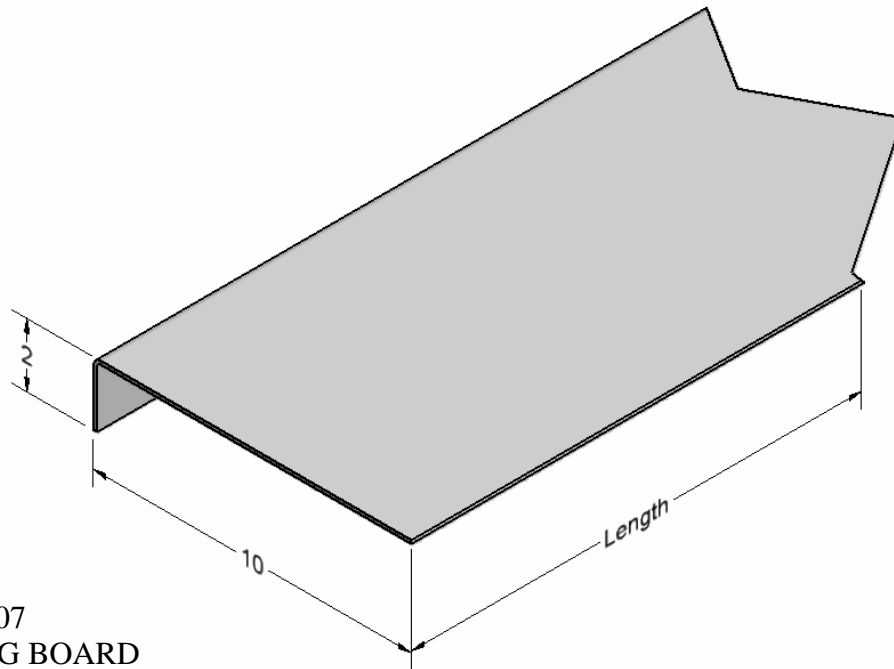
PART 5325
4" ZEE POST
12 GA.



PART 5317
STEP
12 GA.

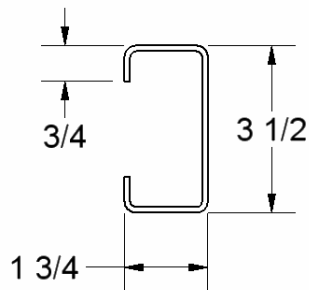
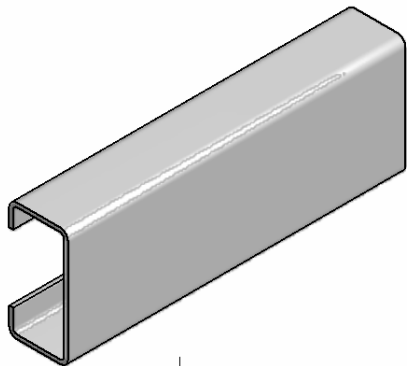
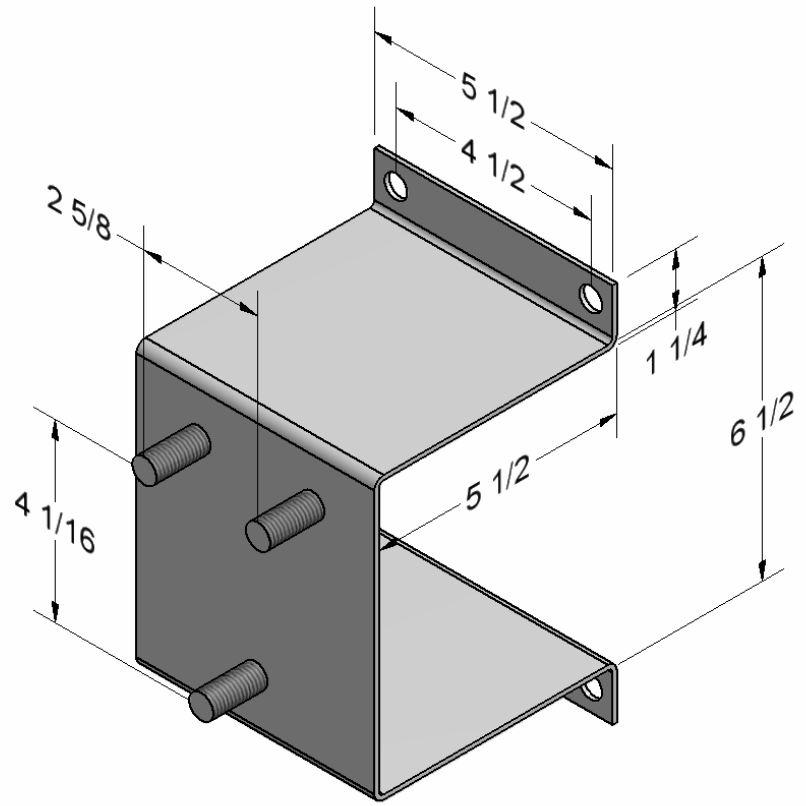


PART 3812
MANGER PANEL
16 GA.

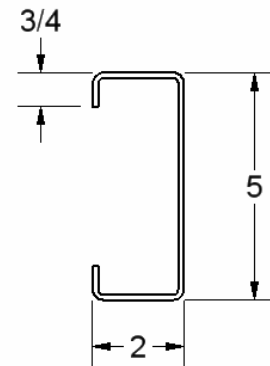
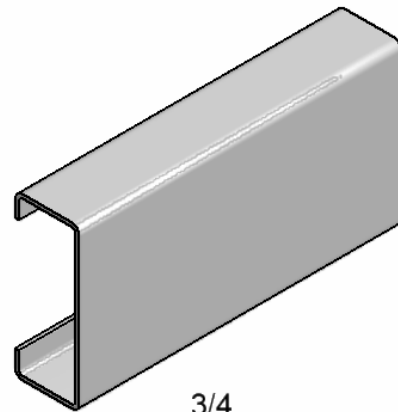


PART 5307
RUNNING BOARD
12 GA.

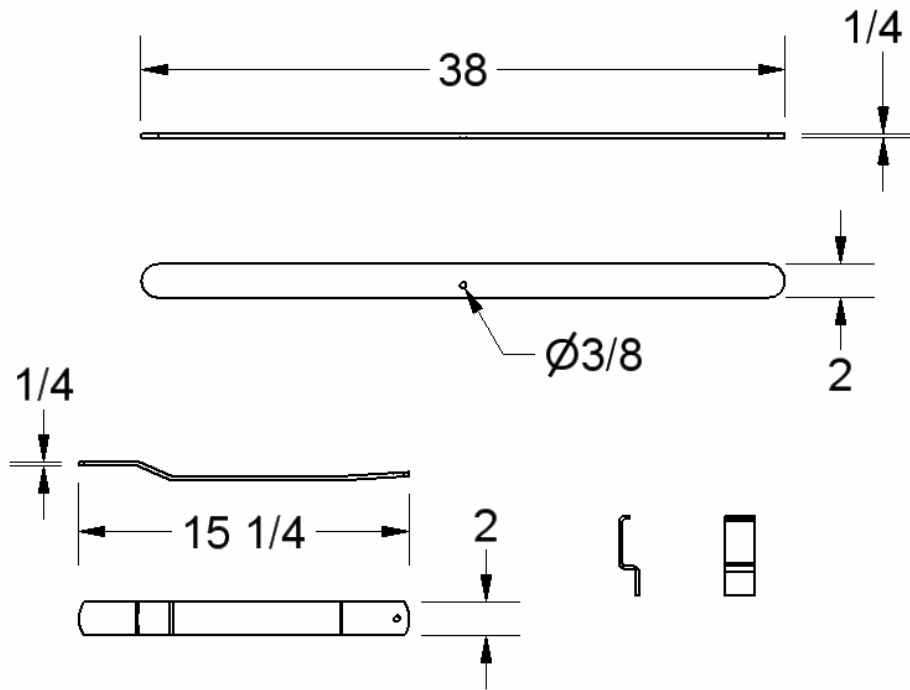
PART 5190
 SPARE TIRE BRACKET
 12 GA.
 FITS 5-LUG WHEEL
 ALSO MADE FOR 4-LUG WHEEL
 (WITHOUT BOLTS)



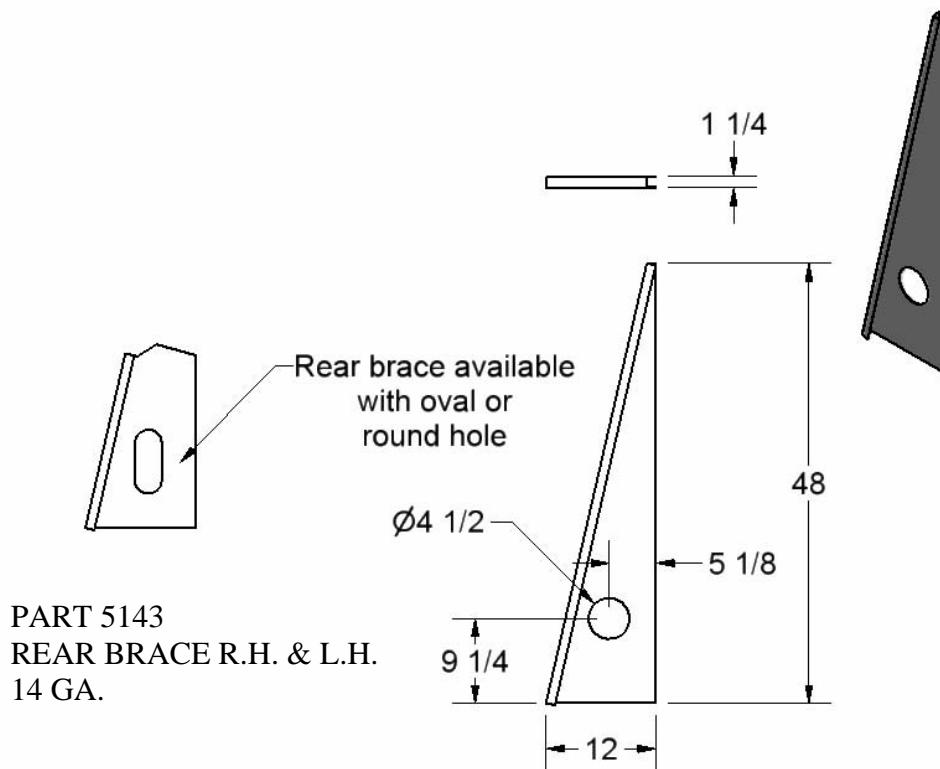
PART 5316
 TWO HORSE
 DRAW BAR
 12 GA.



PART 5321
 FOUR HORSE
 DRAW BAR
 12 GA.

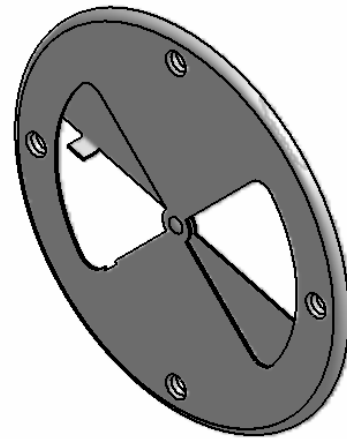
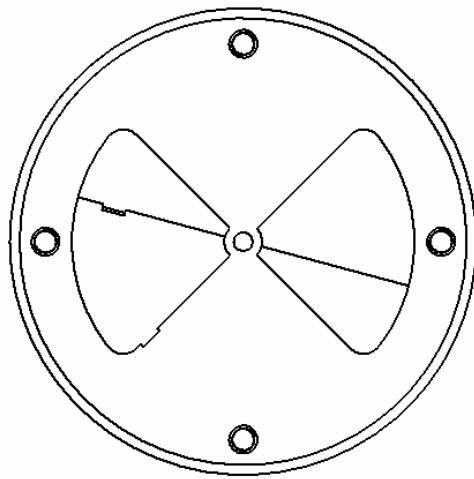


PART 5004
 BUTTERFLY LATCH
 PRICED PER SET
 SET CONTAINS 2 PIECES
 OF EACH PART



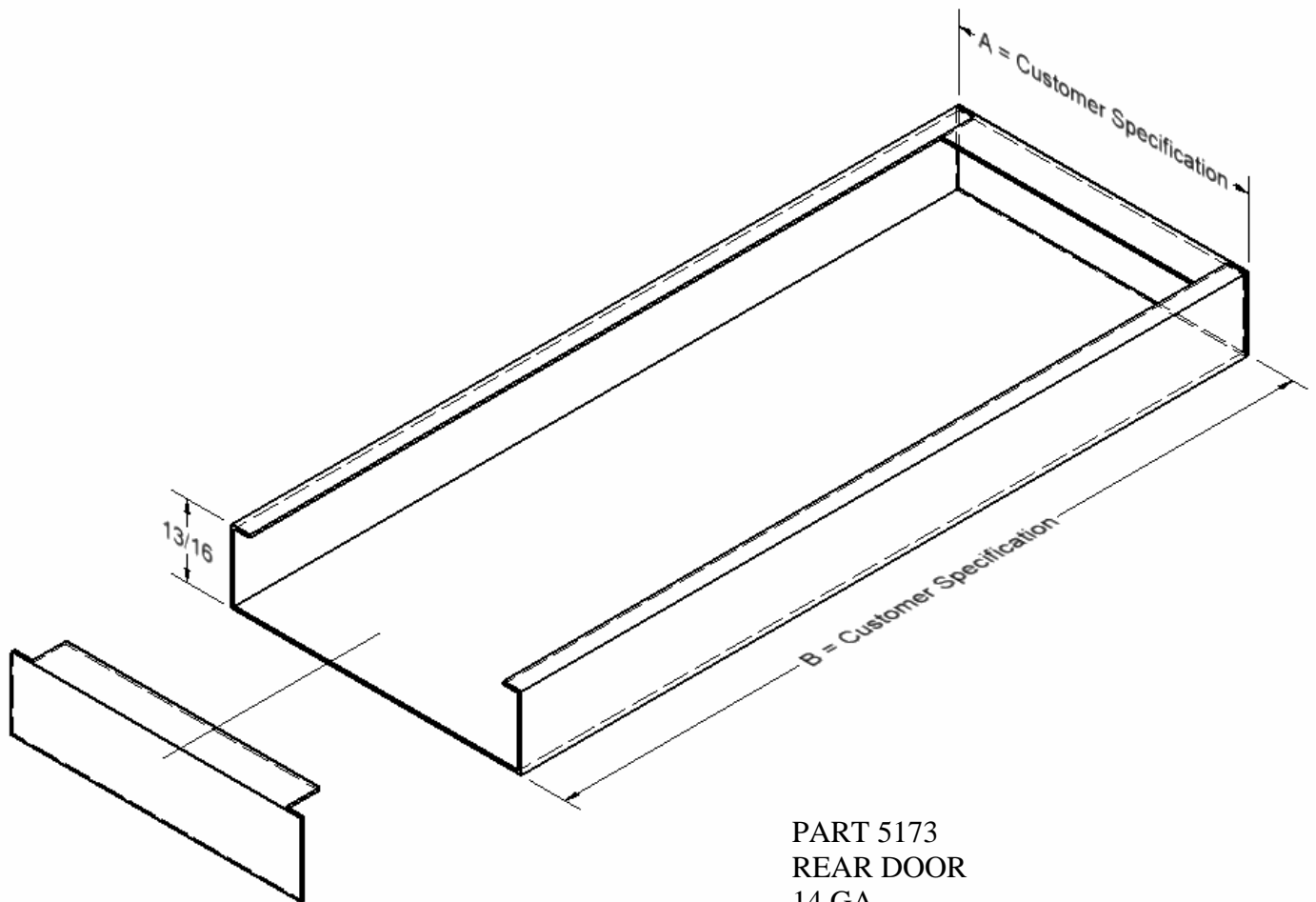
PART 5143
 REAR BRACE R.H. & L.H.
 14 GA.

OTHER SIZES AVAILABLE ON REQUEST.



PART 5005
BUTTERFLY VENT
BRIGHT ALUMINUM

7 1/2" DIAMETER



PART 5173
REAR DOOR
14 GA.

OTHER SIZES & MATERIALS ARE AVAILABLE ON REQUEST

A BETTER HORSE TRAILER DOOR

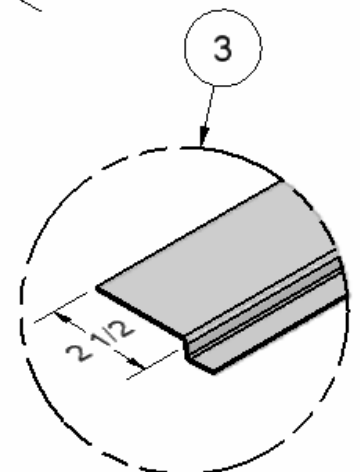
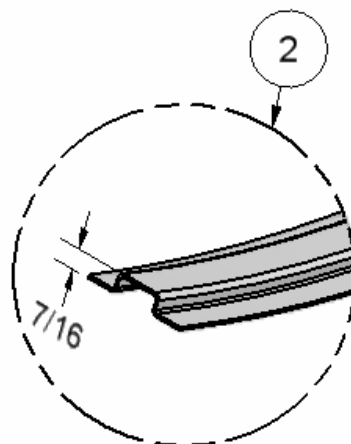
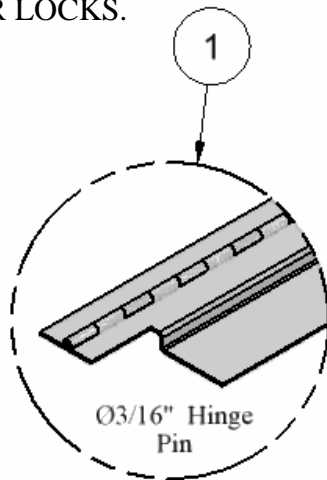
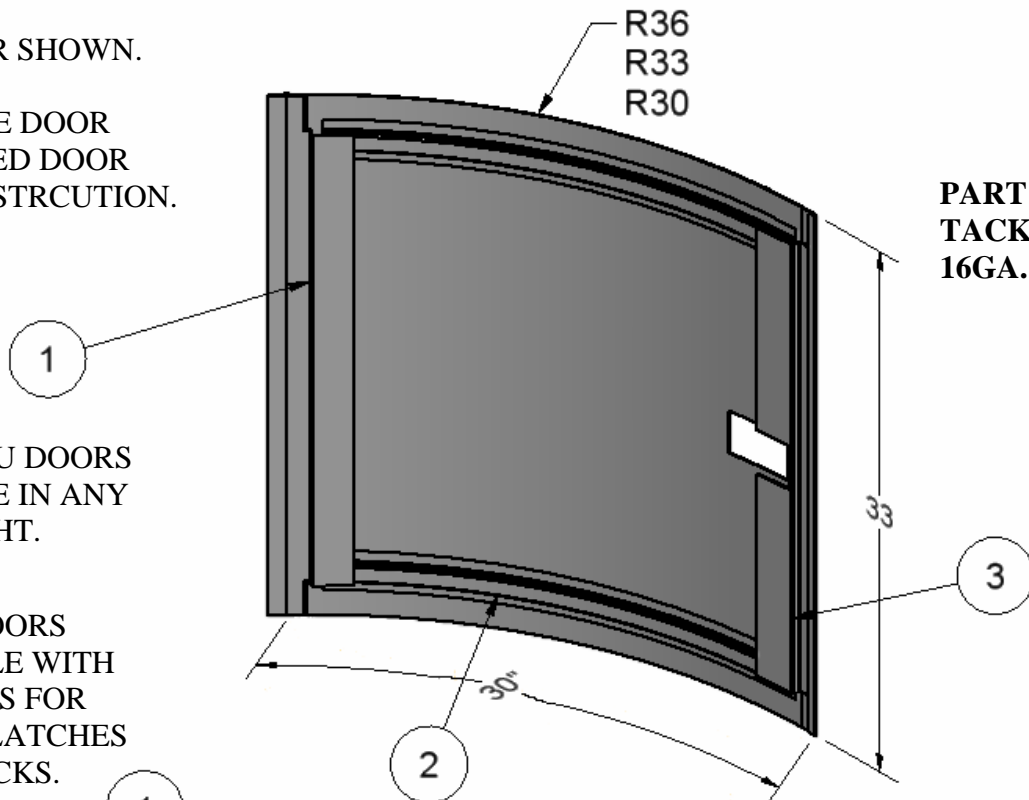
TACK DOOR SHOWN.

ESCAPE DOOR
AND FEED DOOR
SAME CONSTRUCTION.

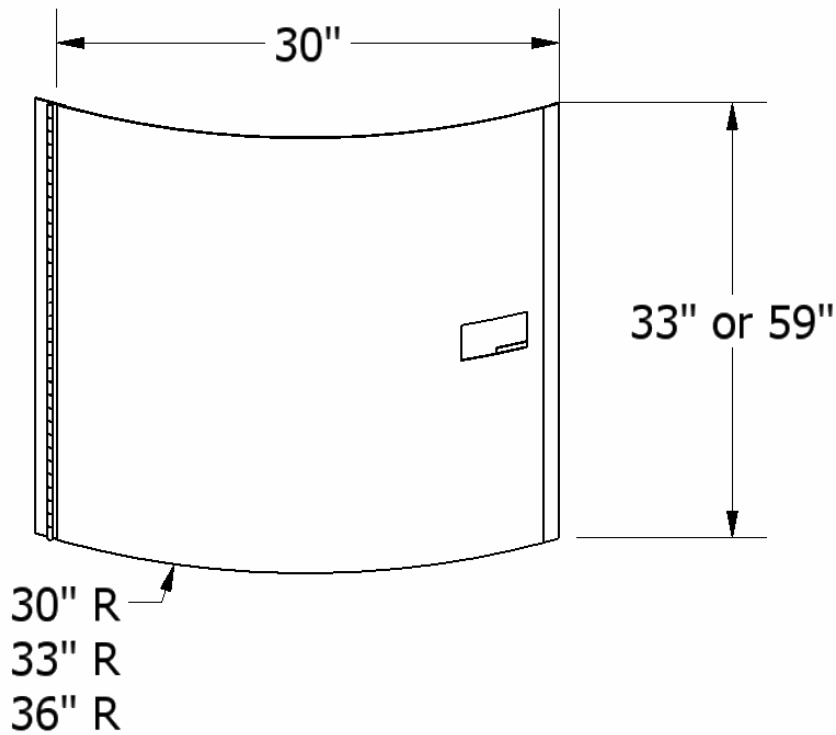
**PART 5136
TACK DOOR
16GA. STEEL**

WALK-THRU DOORS
AVAILABLE IN ANY
HEIGHT.

ALL DOORS
AVAILABLE WITH
CUTOUTS FOR
WINDOW, LATCHES
OR LOCKS.



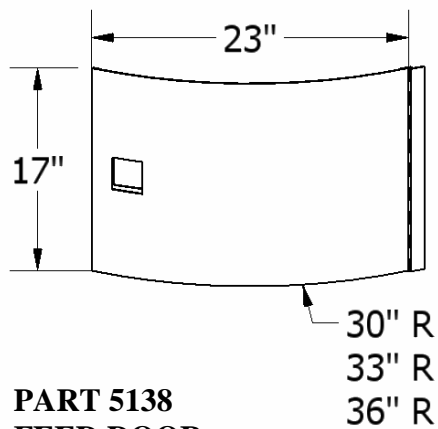
ALL PARTS DIE FORMED FROM 16 GAUGE STEEL AND
ELECTRIC WELD ASSEMBLED



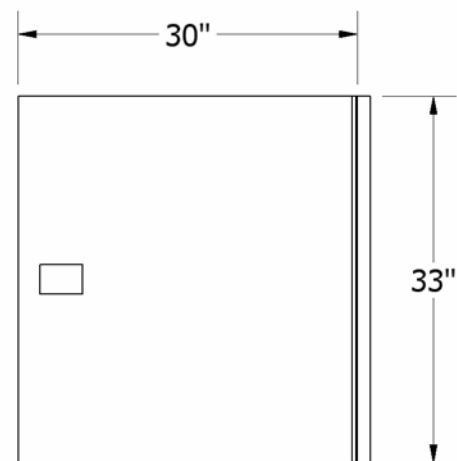
**PART 5136
TACK DOOR
16 GA. STEEL**

**PART 5137
30" X 59"
WALK-THRU DOOR
16 GA. STEEL**

**PART 5139
ESCAPE DOOR
16 GA. STEEL**

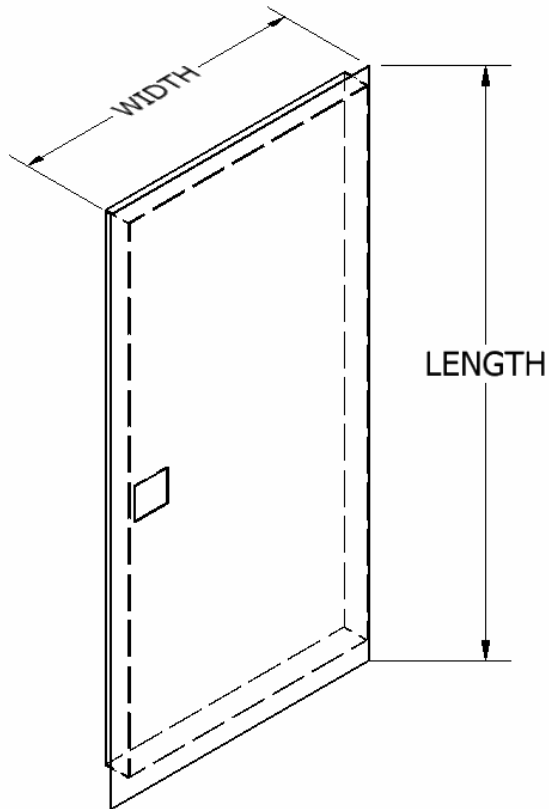


**PART 5138
FEED DOOR
16 GA. STEEL**

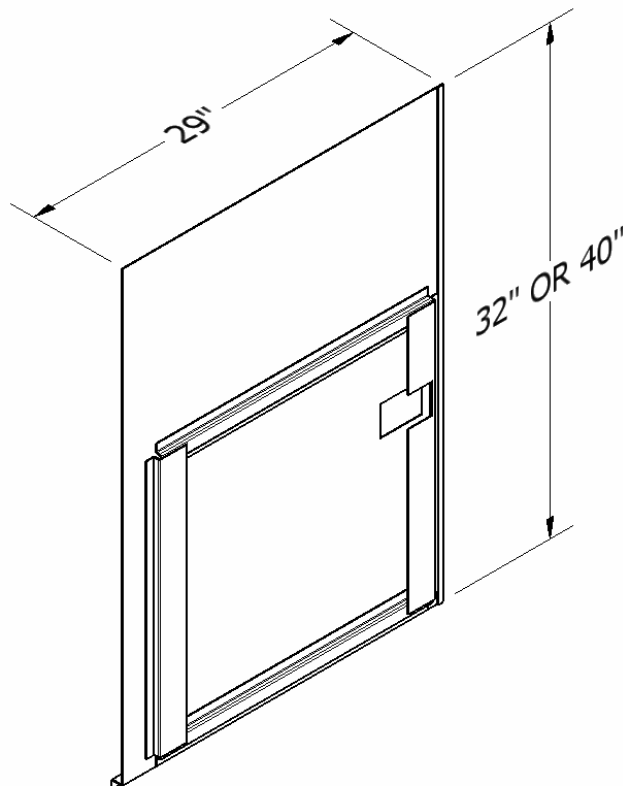


**PART 5310
FLAT FEED DOOR
16 GA. STEEL**

OTHER SIZES & MATERIALS ARE AVAILABLE ON REQUEST



**PART 5133
DOUBLE PAN
ESCAPE DOOR- COMP.
WITH HOLE
18 GA.**



**PART 5175
REAR CURTAIN
16 GA.—29" X 40"**

**PART 5176
REAR CURTAIN
16 GA.—29" X 32"**

OTHER SIZES & MATERIALS ARE AVAILABLE ON REQUEST