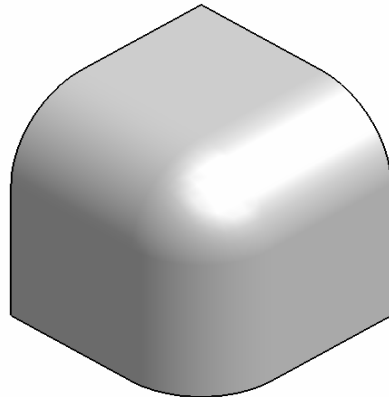
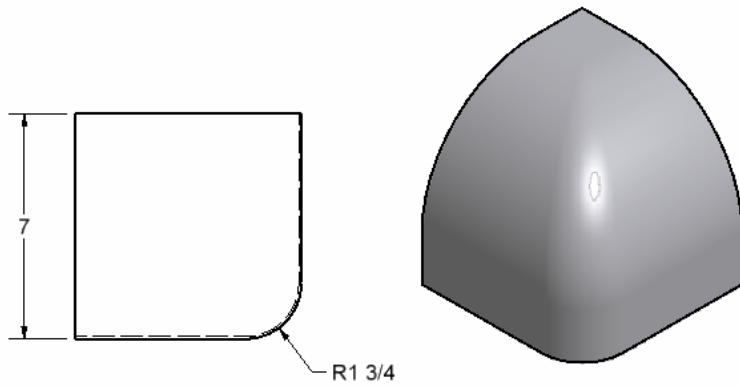
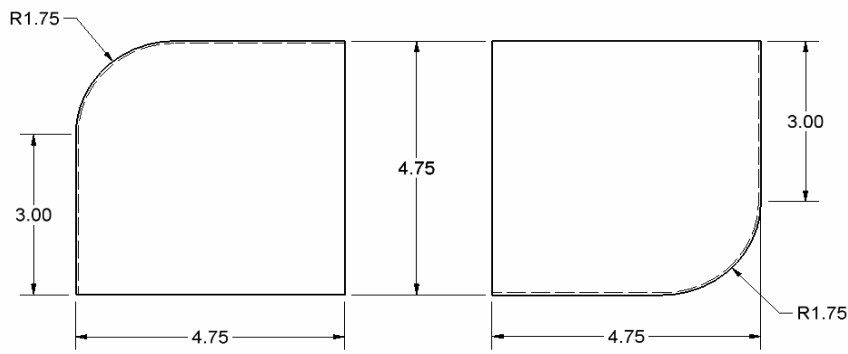


PART NO.	RADIUS	FLAT
5104	3	1 1/2
5035	5	2
5032	6	2
5033	8	1
5034	12	2
5036	16	1
5038	20	1

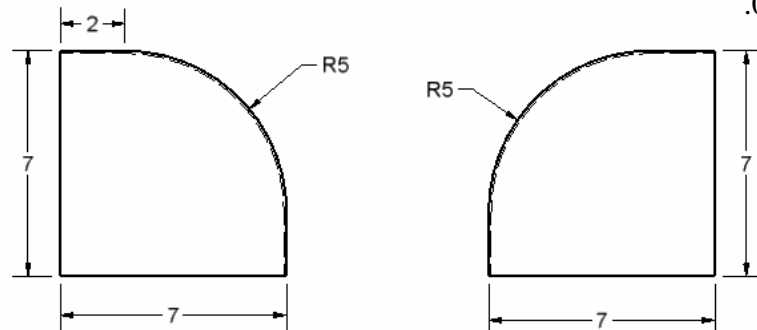
AVAILABLE IN 19GA STEEL / .050 & .080 ALUM

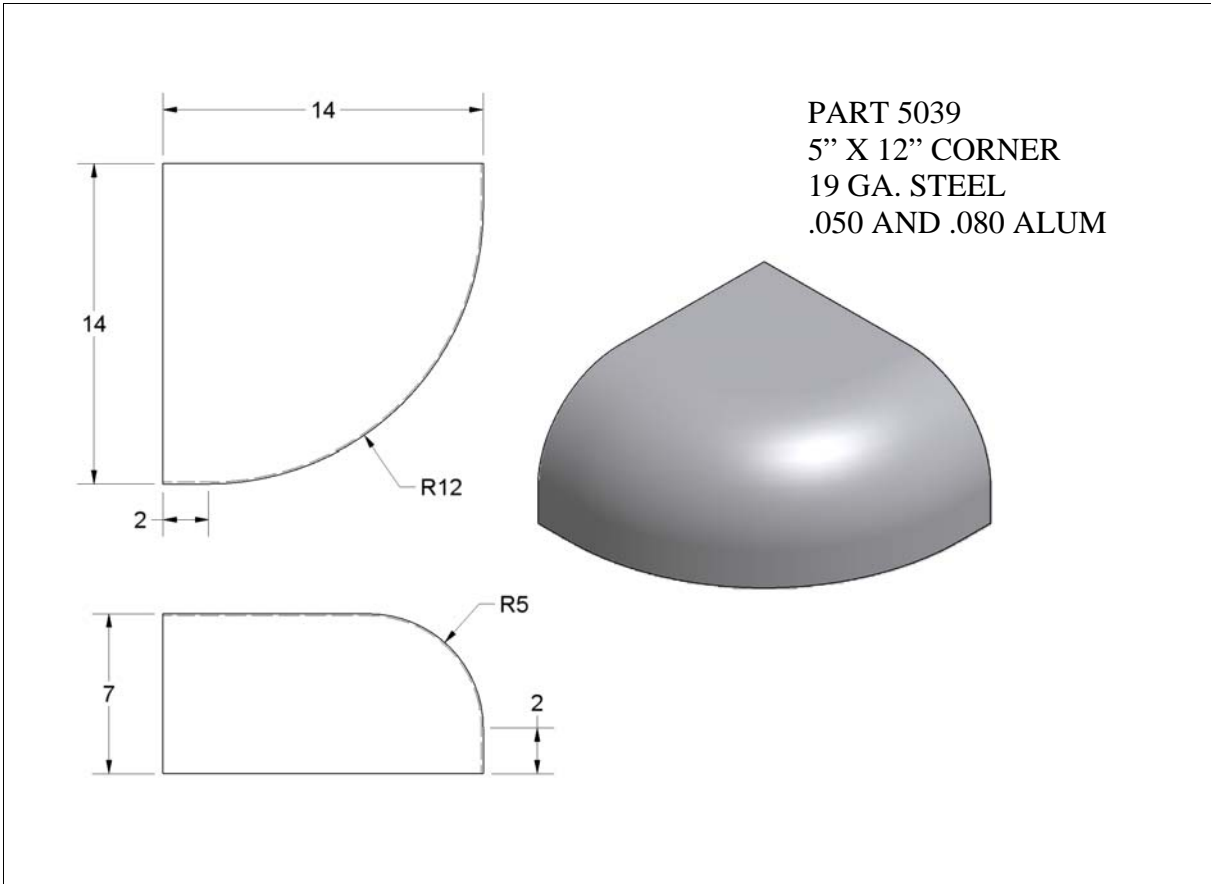


PART 5230
1 3/4" X 1 3/4" CORNER
16 GA. & 19 GA. STEEL
.050 ALUM

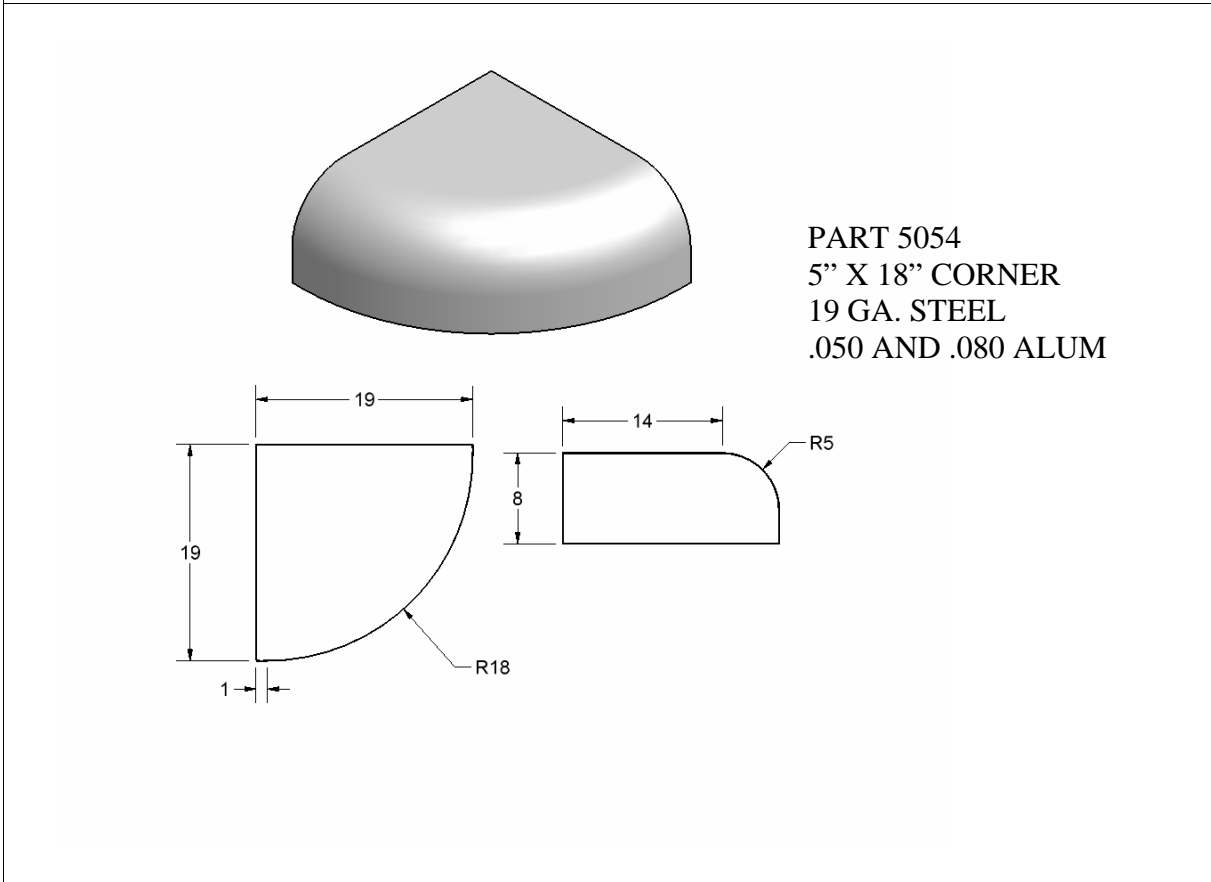


PART 5231
1 3/4" X 5" CORNER
16 GA. & 19 GA. STEEL
.050 ALUM

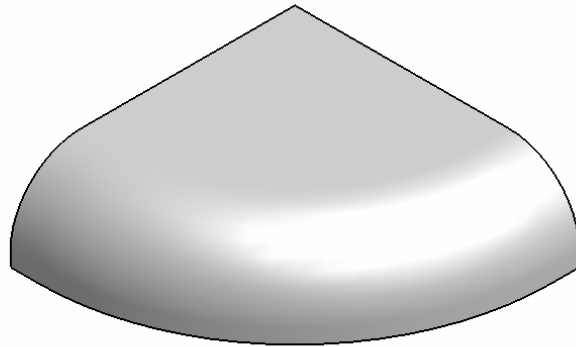




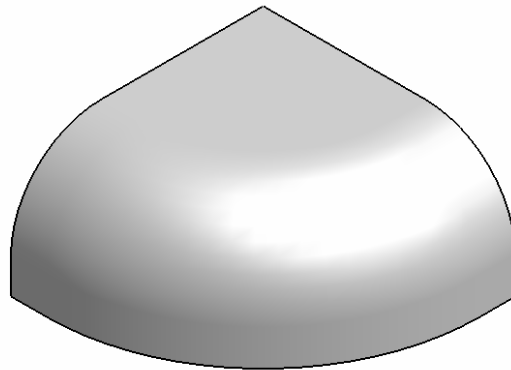
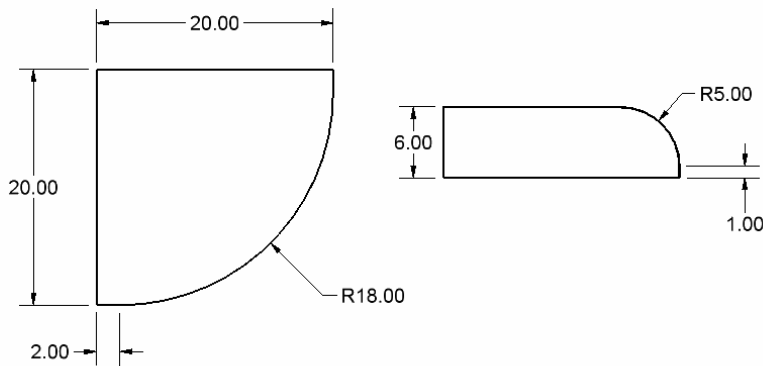
PART 5039
5" X 12" CORNER
19 GA. STEEL
.050 AND .080 ALUM



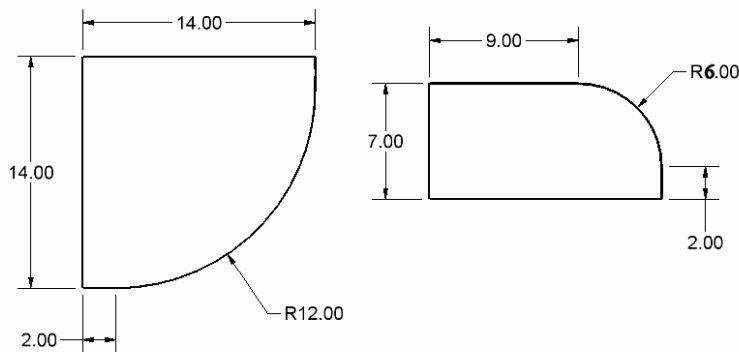
PART 5054
5" X 18" CORNER
19 GA. STEEL
.050 AND .080 ALUM

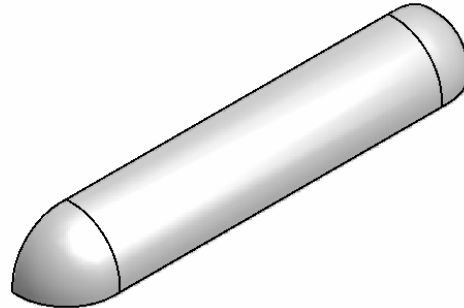


PART 5275
5" X 18" CORNER
19 GA. STEEL
.050 AND .080 ALUM

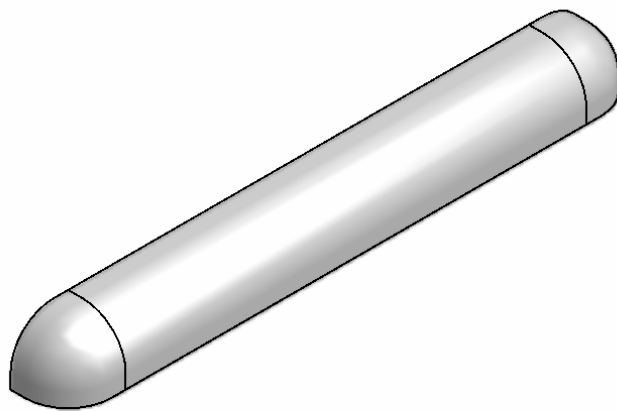
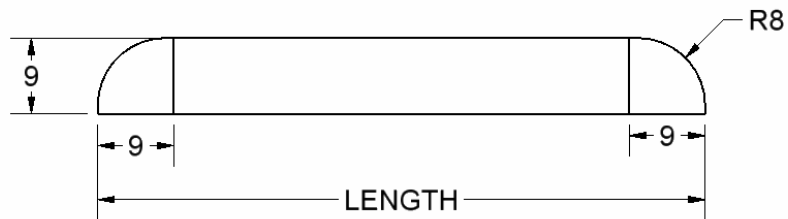


PART 5391
6" X 12" CORNER
19 GA. STEEL
.050 AND .080 ALUM

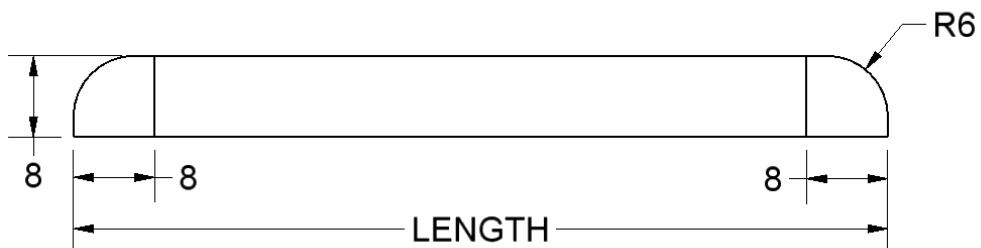


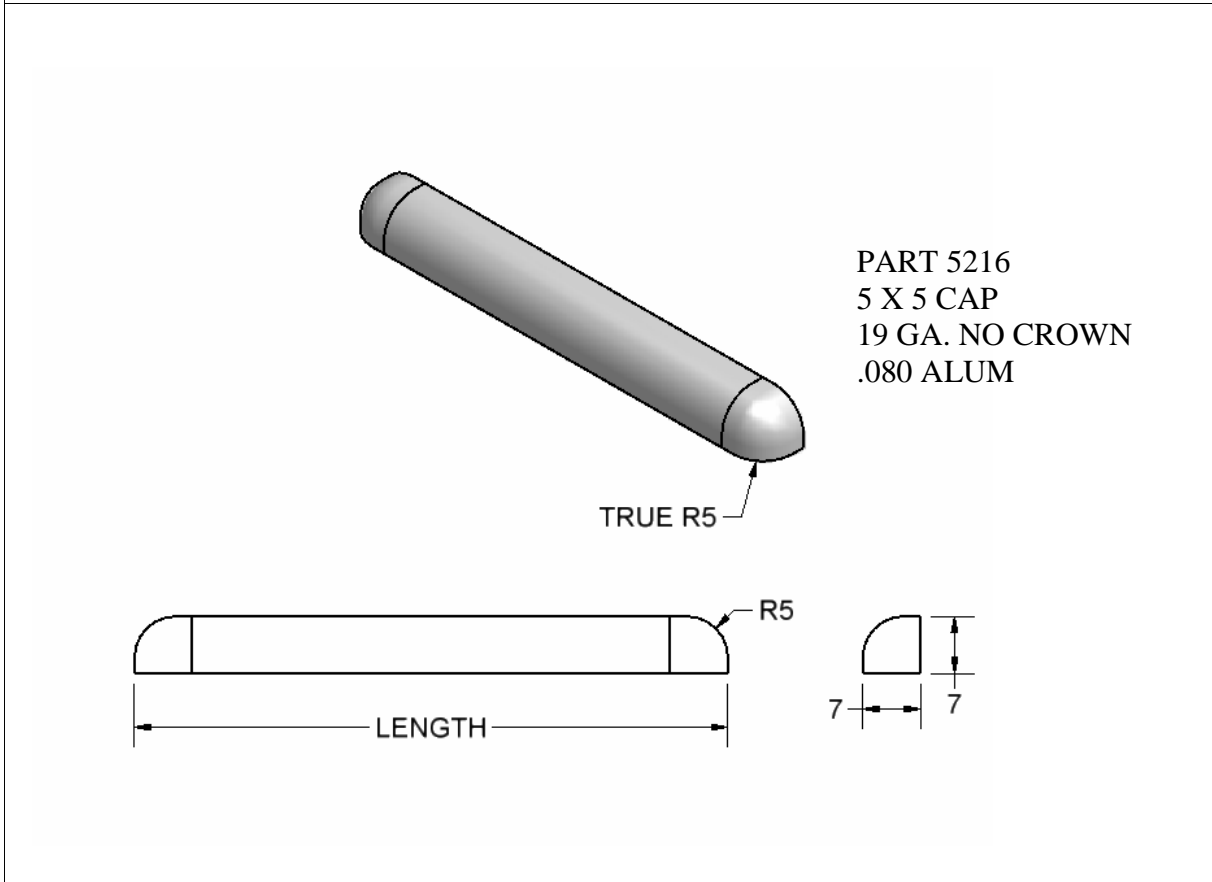
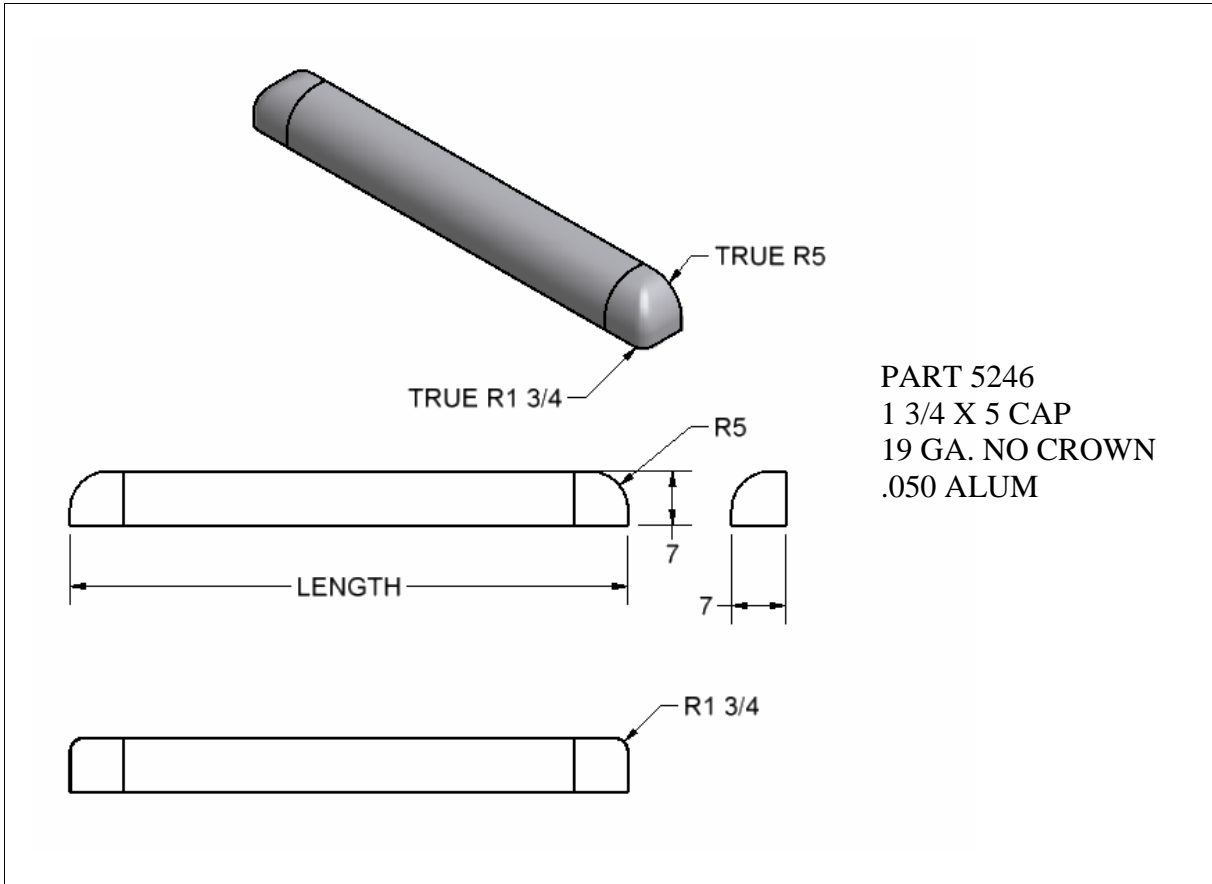


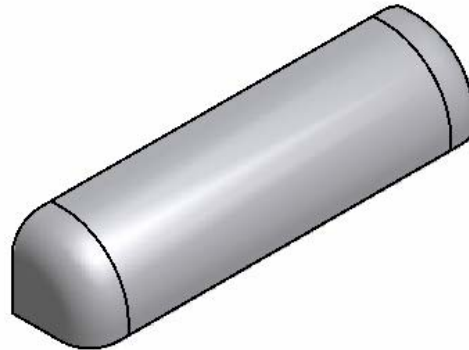
PART 5411
8 X 8 CAP
19 GA.—NO CROWN
.080 ALUM



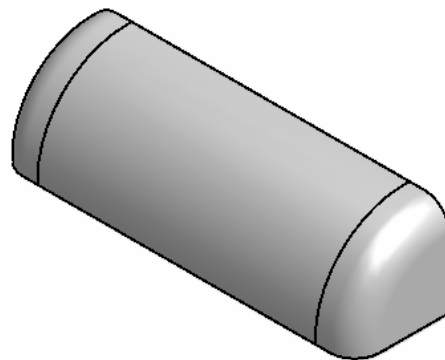
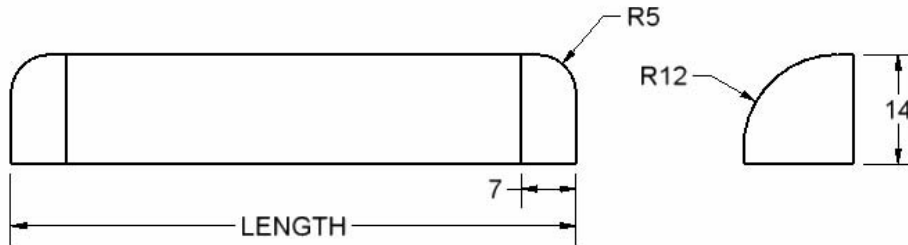
PART 5420
6 X 6 CAP
19 GA. —NO CROWN
.080 ALUM



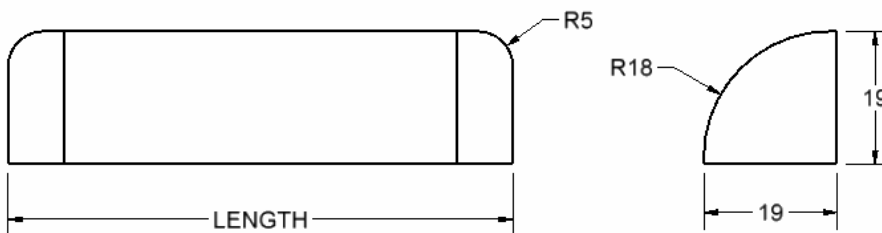


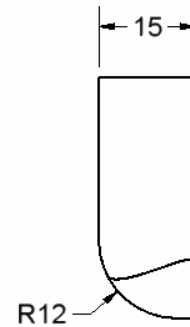
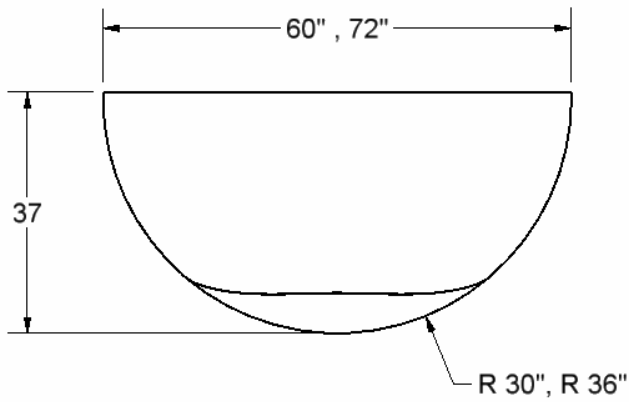
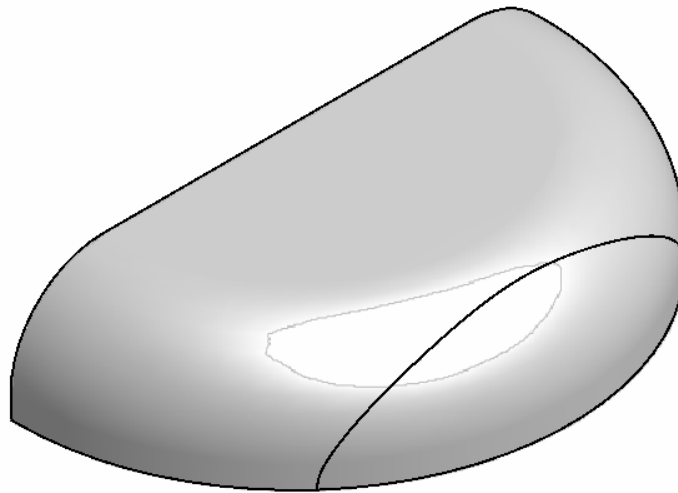


PART 5058
ROOF CAP
19 GA. NO CROWN
.080 ALUM



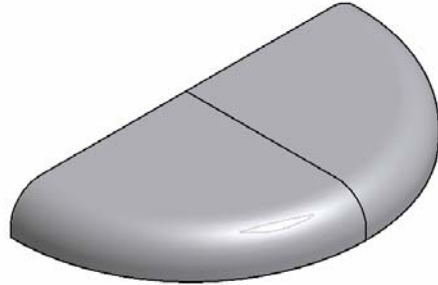
PART 5059
ROOF CAP
19 GA. NO CROWN
.080 ALUM



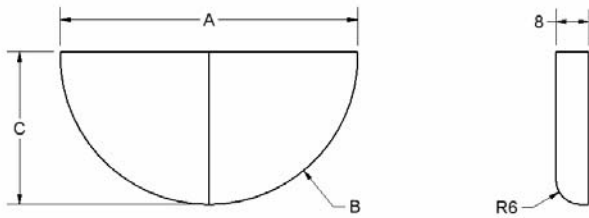


PART 5012—60
TWO HORSE CAP
TWO PIECE—19 GA.
.080 ALUM

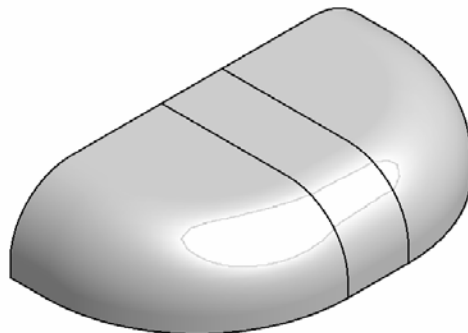
PART 5000—72
TWO HORSE CAP
TWO PIECE—19 GA.
.080 ALUM



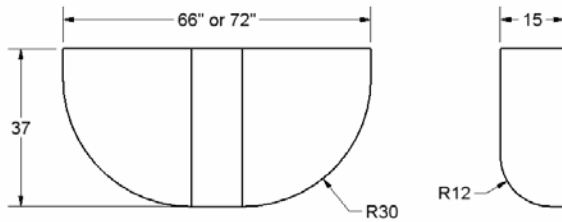
**PART 5419
TWO HORSE
SHALLOW CAP
19. GA / .080 ALUM**

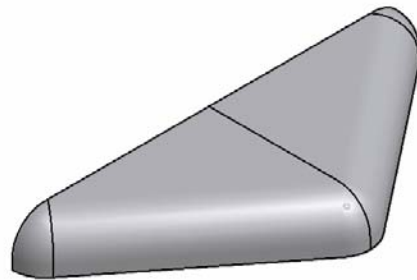


Sizes		
A	B	C
60	30	35
66	33	34
72	36	37

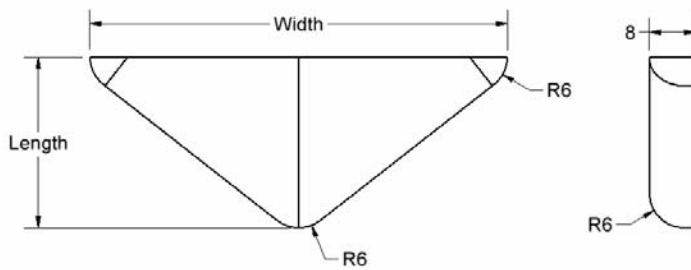


**PART 5012-S
EXTRA WIDTH
DEEP CAP
19 GA. / .080 ALUM**

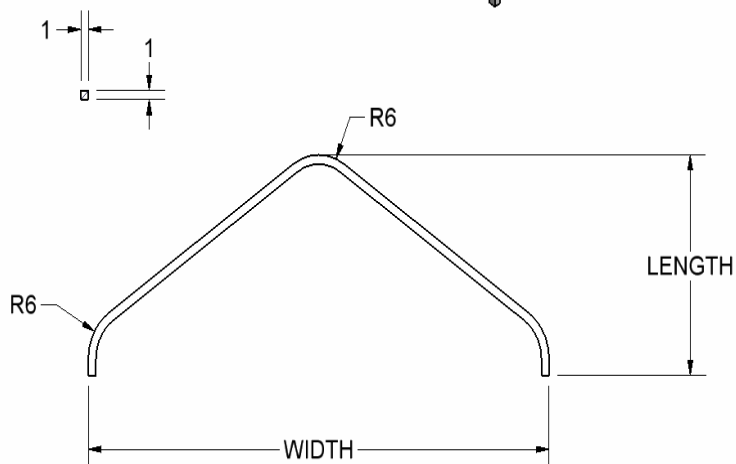


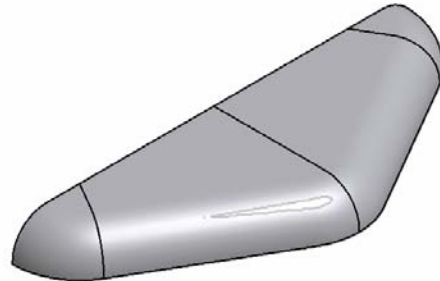


PART 5326
19 GA. OR .080 ALUM.
NEEDLE NOSE CAP

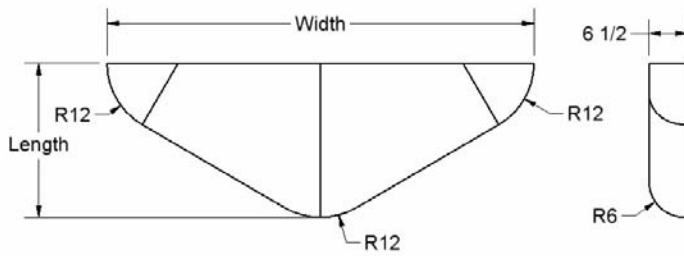


PART 5327
RA. TUBE BOW
16 GA. OR .125 ALUM

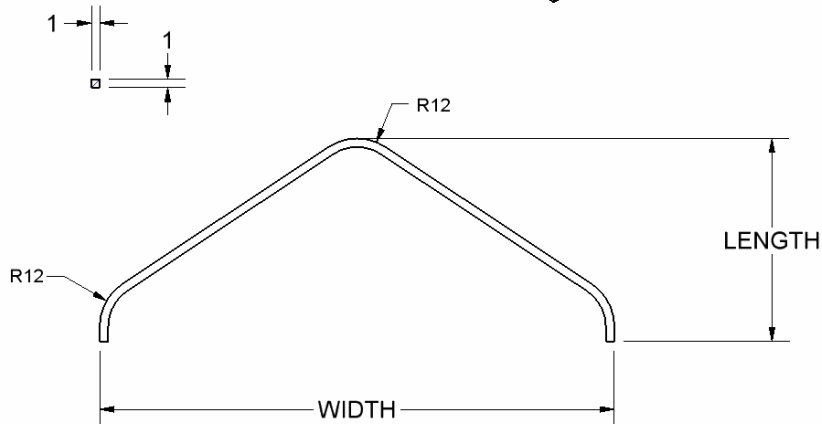


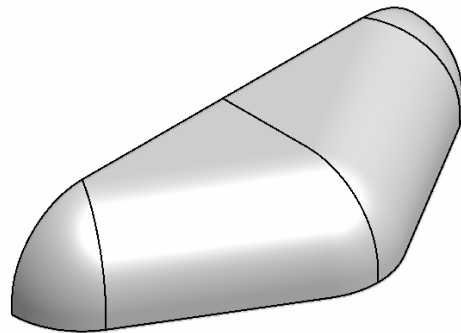


PART 5323
19 GA. OR .080 ALUM.
NEEDLE NOSE CAP

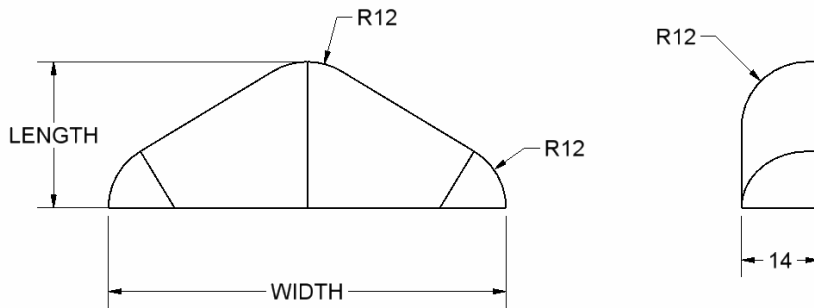


PART 5302
12" RA. TUBE BOW
16 GA. OR .125 ALUM.

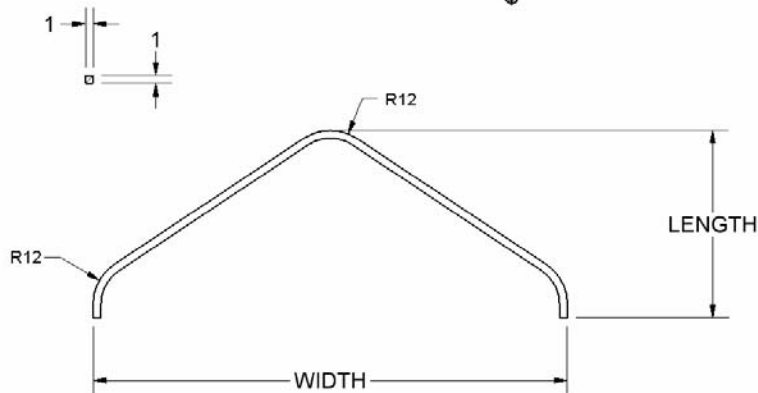


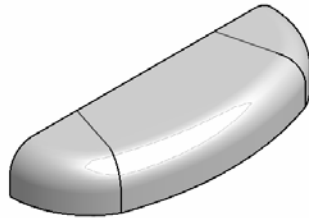


PART 5301
19 GA. OR .080 ALUM.
NEEDLE NOSE CAP

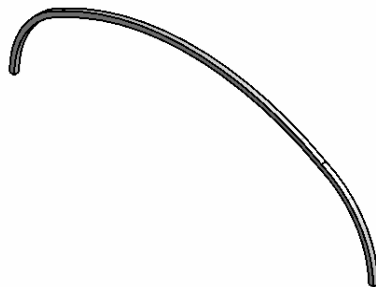
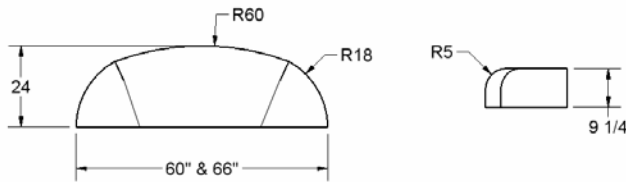


PART 5302
12" RA. TUBE BOW
16 GA. OR .125 ALUM

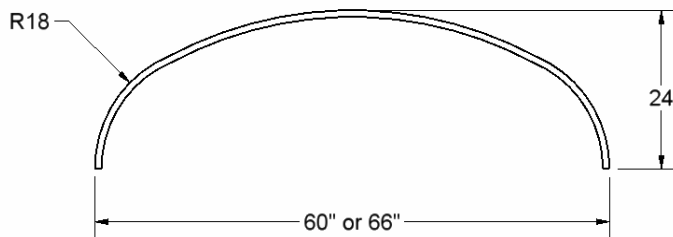




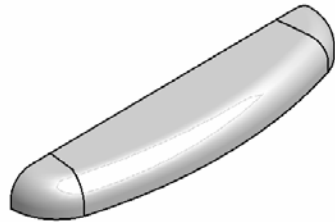
PART 5333
OVAL NOSE CAP
18" CORNERS
19 GA. / .080 ALUM



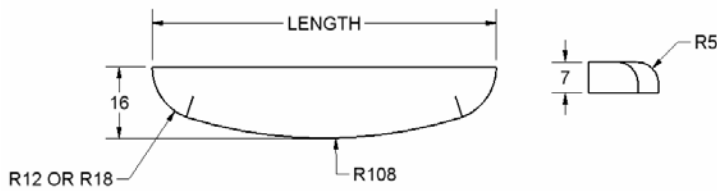
PART 5163
18" RA CROWN
TUBE BOW
16 GA OR .125 ALUM



AVAILABLE IN ALUMINUM



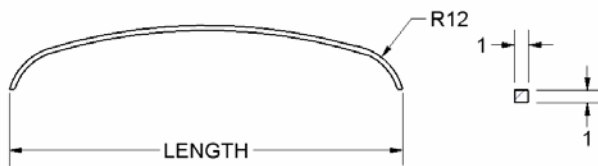
PART 5280
OVAL NOSE CAP
12" CORNERS
19GA OR .125 ALUM

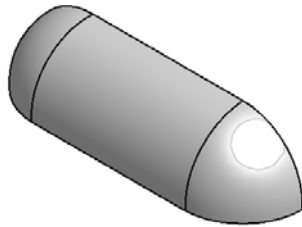


PART 5280-S
OVAL NOSE CAP
18" CORNERS
19GA OR .125 ALUM

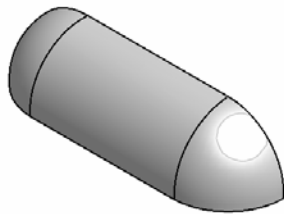
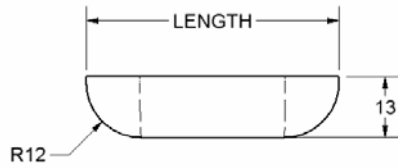


PART 5324
12" RA CROWN
TUBE BOW
16 GA. OR .125 ALUM

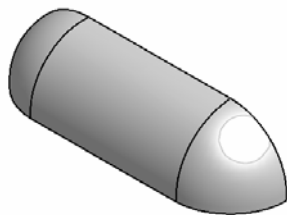
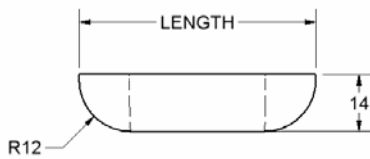




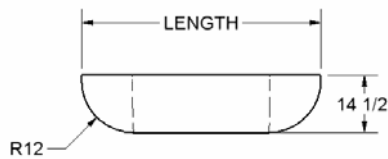
**PART 5018
TWO HORSE CAP
19 GA.**




**PART 5119
TWO HORSE CAP
19 GA.**



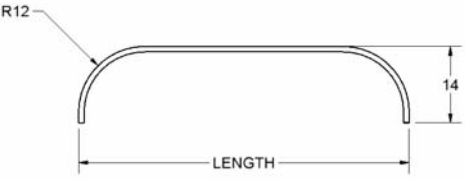
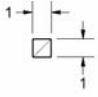

**PART 5119-S
TWO HORSE CAP
19 GA.**



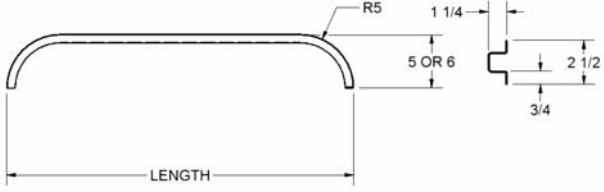
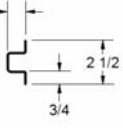

AVAILABLE IN .080 ALUMINUM
OTHER WIDTHS AVAILABLE ON REQUEST



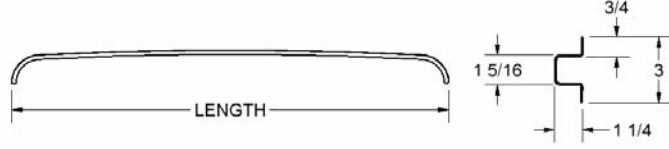
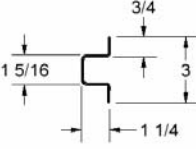
Part 5007
12" Ra. Tube Bow
16 GA. Or .125 Alum






Part 5219
Roof Bow
16 GA., 18 GA. Or 19 GA.

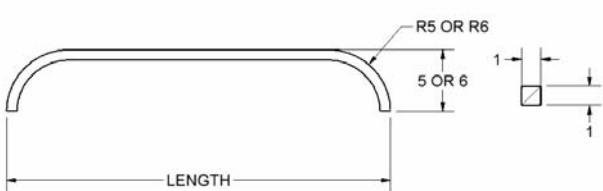
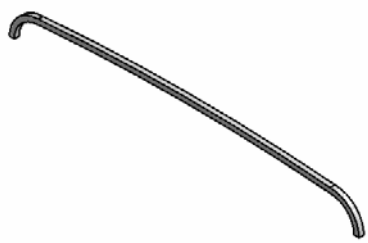
Part 5653
Roof Bow w/Crown
18 GA.


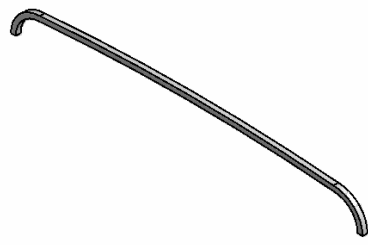


Part 5247
5" RA Tube Bow
16 GA. Or
.125 Alum

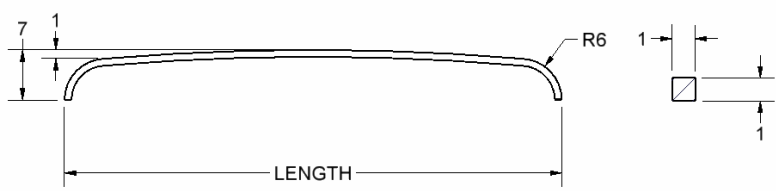
Part 5616
6" RA Tube Bow
16 GA. Or
.125 Alum





Part 5247-C
5" RA. Tube Bow
w/Crown
16 GA. Or
.125 Alum

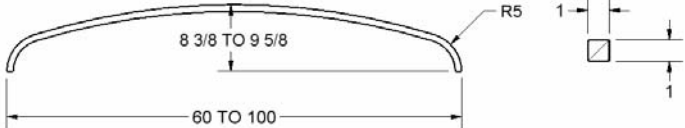




Part 5616-c
6" RA. Tube Bow
w/ Crown
16 GA.. Or
.125 Slum

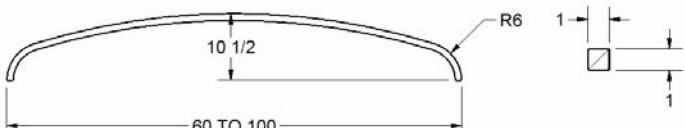





Part 5799
Continuous Radius
Tube Bow
16 GA. Or .125 Alum

Part 5863
Continuous Radius
Tube Bow
16 GA. Or .125 Alum

Part 5302
12'' RA. Tube Bow
16 GA. Or .125 Alum

